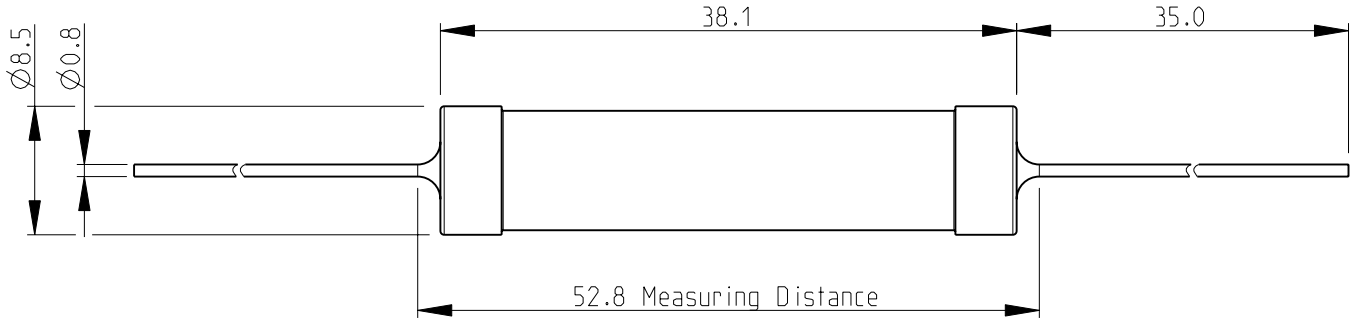


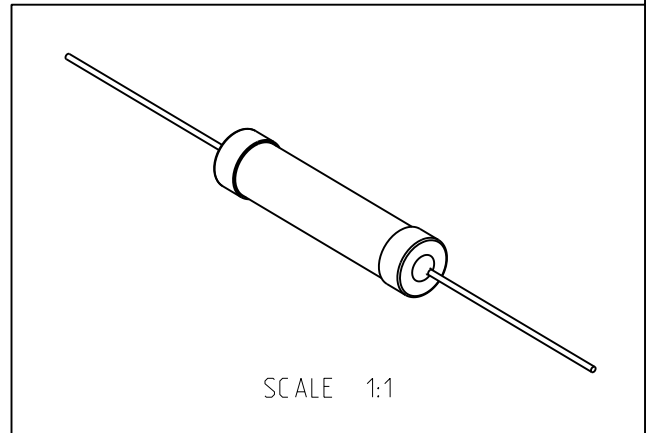
LOC	DIST	REVISIONS					
E	B	P	LTR	DESCRIPTION	DATE	DWN	APVD
		BA1		NOTE 2 ADDED	30NOV2010	PT	St.P

NOTES:

1. FOR FURTHER INFORMATION SEE DATA SHEET FOR C SERIES-HIGH POWER RESISTORS
2. WEIGHT 0.400 Kg PER 100 PIECES



RoHS Compliant



2008

RELEASED FOR PUBLICATION

THIS DRAWING IS UNPUBLISHED.

BY TYCO ELECTRONICS CORPORATION. ALL RIGHTS RESERVED.

© COPYRIGHT 2008

DIMENSIONS: mm	DWN	SUBHASH.M	16-Sep-08	MATERIAL	-	FINISH	-		
	CHK	PRAKASH.S	16-Sep-08	Tyco Electronics Corporation Dorcan, Swindon, SN3 5HH					
TOLERANCES UNLESS OTHERWISE SPECIFIED:	APVD	STEPHEN.P	16-Sep-08						
	0 PLC	± 0.2	PRODUCT SPEC	-	NAME			HIGH POWER RESISTORS SERIES C10	
1 PLC	± 0.1	APPLICATION SPEC	-	SIZE	A 4	CAGE CODE	00779		
2 PLC	± -	WEIGHT	-	DRAWING NO	C= 1623773		RESTRICTED TO	-	
3 PLC	± -	CUSTOMER DRAWING						SCALE	2:1
4 PLC	± -							SHEET	1
ANGLES	± 5°								

